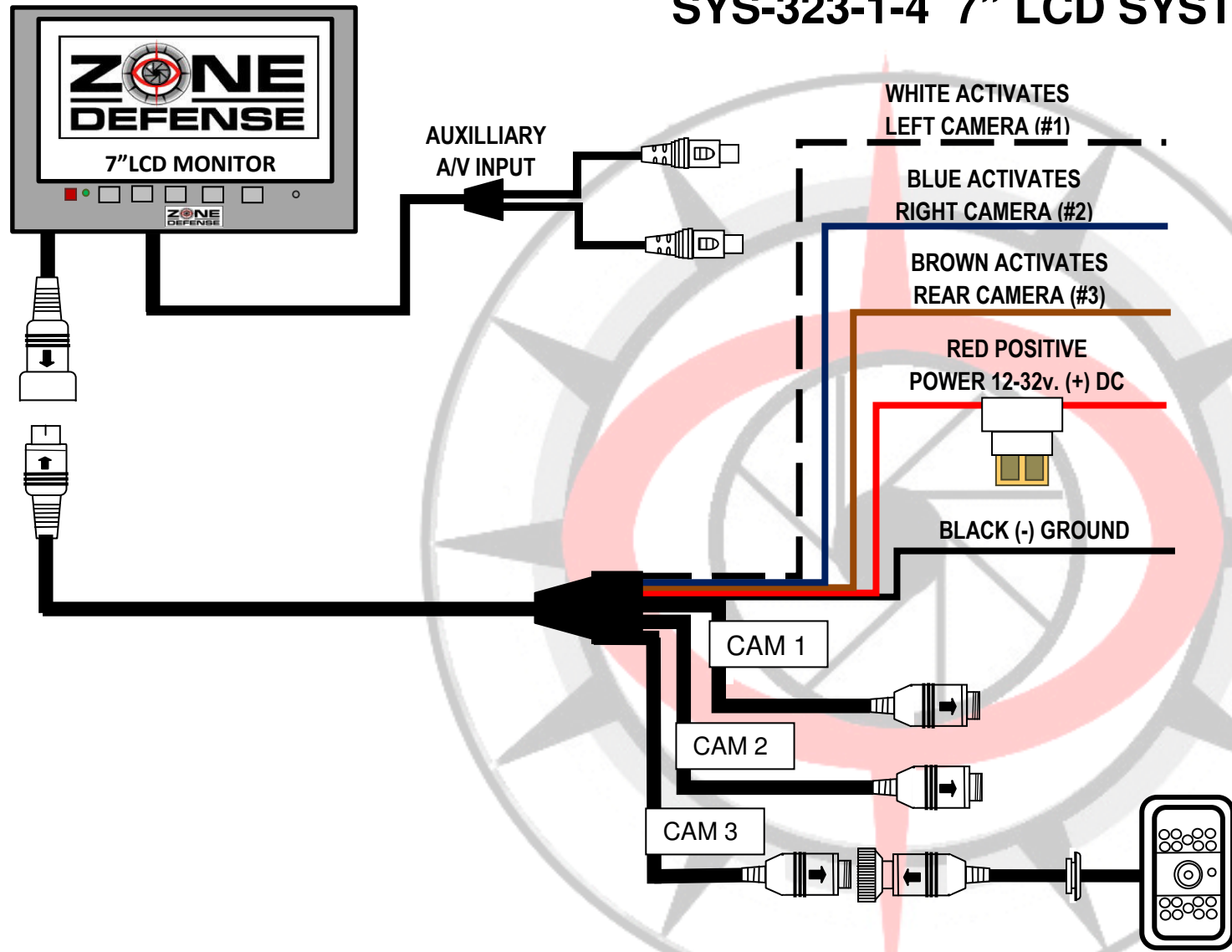




# ZONE DEFENSE SYS-323-1-4 7" LCD SYSTEM



DESCRIPTION  
SYS-323-1-4  
Page 1 of 1

NOTICE  
Above Drawings are for reference purpose only.  
Drawings subject to change without notice.

DATE  
7-2008  
Compiled By  
W. Verity

**ZONE DEFENSE LLC**  
**866 - 672 -1212**  
Drawing Name: SYS-323-1-4